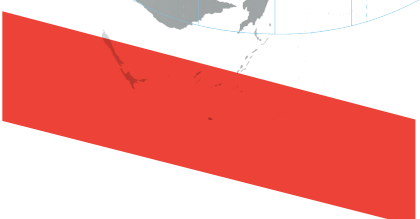


# Ecoplat Plus

ENTRY LEVEL TURNTABLE STRETCH WRAPPING MACHINES



## PRODUCTION PLANTS

**ROBOPAC MACHINERY**  
Via Fabrizio da Montebello, 81 - 47892 Guadalcio - Repubblica di San Marino  
T. (+378) 0549 910511 - [robopac@robopac.com](mailto:robopac@robopac.com)  
[www.robopac.com](http://www.robopac.com)

**ROBOPAC SYS TEMS**  
S.P. Maecchia, 59 - 47826 Villa Verucchio, Rimini - Italy  
T. (+39) 0541 673411 - [robopacsystems@robopac.com](mailto:robopacsystems@robopac.com)  
[www.robopacsystems.com](http://www.robopacsystems.com)

**ROBOPAC PACKERS**  
Via Cei Bianca, 1280 - 40024 Casalino, Piero Terme, Bologna - Italy  
T. (+39) 0541 673411 - [robopackpackers@robopac.com](mailto:robopackpackers@robopac.com)

Via J. Barozzi, 8 - Z.I. Ceriallo - 40053 Valsamoggia, Bologna - Italy  
T. (+39) 051 960302 - [robopackpackers@robopac.com](mailto:robopackpackers@robopac.com)  
[www.robopackpackers.com](http://www.robopackpackers.com)

**ROBOPAC BRASIL**  
Rua Agnere Morbini, 380 - 95700 - 404 Bairro Pomarosa  
Bento Gonçalves / RS - Brazil  
T. (+55) 54 3455-7200 - [robopacbrasil@robopacbrasil.com](mailto:robopacbrasil@robopacbrasil.com)  
[www.robopacbrasil.com](http://www.robopacbrasil.com)

**TOP TIER**  
10315E Leinfers, Portland, Oregon 97015 - USA  
T. (+1) 503 353 7389 - [sales@top-tier.com](mailto:sales@top-tier.com)  
[www.top-tier.com](http://www.top-tier.com)

## SUBSIDIARIES

**ROBOPAC UK**  
Packaging Heights, Highfield Parc - Oakley - Bedford MK43 7TA - UK  
T. +44 (0) 1234 825050 - [sales@aetna.co.uk](mailto:sales@aetna.co.uk)  
[www.aetnagroup.co.uk](http://www.aetnagroup.co.uk)

**ROBOPAC FRANCE**  
4, Avenue de l'Europe - 69150 Déclères - France  
T. +33 (0) 4 72 14 54 00 - [commercial@aetnafr.aetnagroup.com](mailto:commercial@aetnafr.aetnagroup.com)  
[www.aetnagroup.com/fr](http://www.aetnagroup.com/fr)

**ROBOPAC DEUTSCHLAND**  
Wittbauer 5 - D-70239 Stuttgart - Germany  
T. (+49) 711 30 67 09 - 0 - [info@aetna-deutschland.de](mailto:info@aetna-deutschland.de)  
[www.aetnagroup.com/de](http://www.aetnagroup.com/de)

**ROBOPAC U.S.A.**  
2150 Boggs Road, Building 200, Suite 200 - Duquoin, GA 30096 USA  
T. (+1) 678 473 7896 - (+1) toll free 866 713 7286  
[info@aetnagroupusa.com](mailto:info@aetnagroupusa.com)  
[www.robopac.com/US](http://www.robopac.com/US)

**ROBOPAC RUSSIA**  
129329 Moscow - Otradnaya str. 2B - building 7 office 1 - Russia  
T. (+7) 495 6443355 - [info@aetnagroupvostok.ru](mailto:info@aetnagroupvostok.ru)  
[www.aetnagroup.com/ru](http://www.aetnagroup.com/ru)

**ROBOPAC CHINA**  
Building 2, No. 877, Jin Liu Road, Jinhuan Industry district, 201506, Shanghai - China  
T. (+86) 6 21 62665965 - [hinchina@aetnagroup.com](mailto:hinchina@aetnagroup.com)  
[www.aetnagroup.com.cn](http://www.aetnagroup.com.cn)

**ROBOPAC IBERICA**  
P.I. Portal Mediterráneo, Calle Chauvadors 23 - 12500 - Vinaros, Castellón - Spain  
T. (+34) 964 880 901 - [info@aetnaiberica.es](mailto:info@aetnaiberica.es)  
[www.robopaciberica.es](http://www.robopaciberica.es)



# Ecoplát Plus

ENTRY LEVEL TURNTABLE STRETCH WRAPPING MACHINES



R-CONNECT SYSTEM AVAILABLE (OPT.)



**ECOPLAT PLUS BASE PANEL**  
Panel with electromechanical buttons.

- ▶ Top and bottom wraps
- ▶ Upward-downward carriage speed
- ▶ Turntable rotation speed
- ▶ Emergency stop
- ▶ IP54 - protection against dust and water

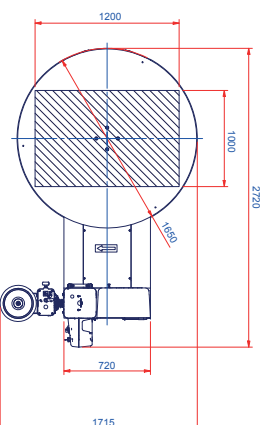
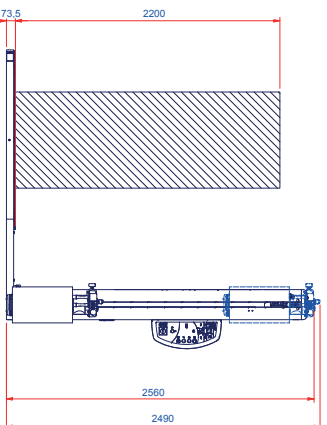


**ECOPLAT PLUS FRD PANEL**  
Panel LED display and a parameters selector by JOG.

- ▶ Upward-downward cycle
- ▶ Only downward or upward cycle
- ▶ Top sheet cycle
- ▶ Manual cycle
- ▶ Eco cycle (recorded)
- ▶ Top wraps / Bottom wraps
- ▶ Reinforce wraps

- ▶ Turntable rotation speed
- ▶ Upward-downward carriage speed
- ▶ Protocol or altimeter
- ▶ Carriage ergonomic stop
- ▶ Emergency stop
- ▶ IP54 - protection against dust and water

LAYOUT ECOPLAT PLUS [mm]



WHY ECOPLAT PLUS?

- ▶ **NEW HMI**, MORE INTUITIVE AND WITH MORE FEATURES
- ▶ **RELIABILITY AND STURDINESS** THANKS TO THE COMPONENTS DESIGNED AND BUILT FOLLOWING THE STRICTEST SAFETY AND QUALITY PROTOCOLS
- ▶ **EASY MAINTENANCE**, USB PORT TO UPDATE AND DOWNLOAD THE DATA AND SOFTWARE OF THE MACHINE EASILY AND QUICKLY
- ▶ **SMALL INVESTMENT** FOR A GREAT SAVING OF TIME AND FILM
- ▶ **INDUSTRY 4.0** POSSIBILITY OF INSTALLING R-CONNECT SYSTEM



## FRD CARRIAGE

Film carriage with mechanical brake manually adjustable to set the film tensioning.

Brake engagement-release device to facilitate hooking the film to the base of the pallet.

## TECHNICAL FEATURES

MACHINE	ECOPLAT PLUS BASE	ECOPLAT PLUS FRD
turntable diameter	(mm)	1650
max load weight	(kg)	2000
turntable rotation speed	(rpm)	4-10
carriage up-down speed	(m/min)	1.4-4
film carriage type		FRD
film tensioning		manual
film pre-stretch		n.a.
maximum pallet dimensions (LxW)	(mm)	1000x1200
maximum product height	(mm)	2200 std, 2400 opt.
power supply	(V)	230 V 1Ph ±10% 50/60 Hz
installed power	(kW)	1.2
max reel dimensions (HxØ)	(mm)	500x300
max reel weight	(kg)	20
film thickness	(µm)	T7-35
forklifting		front and rear